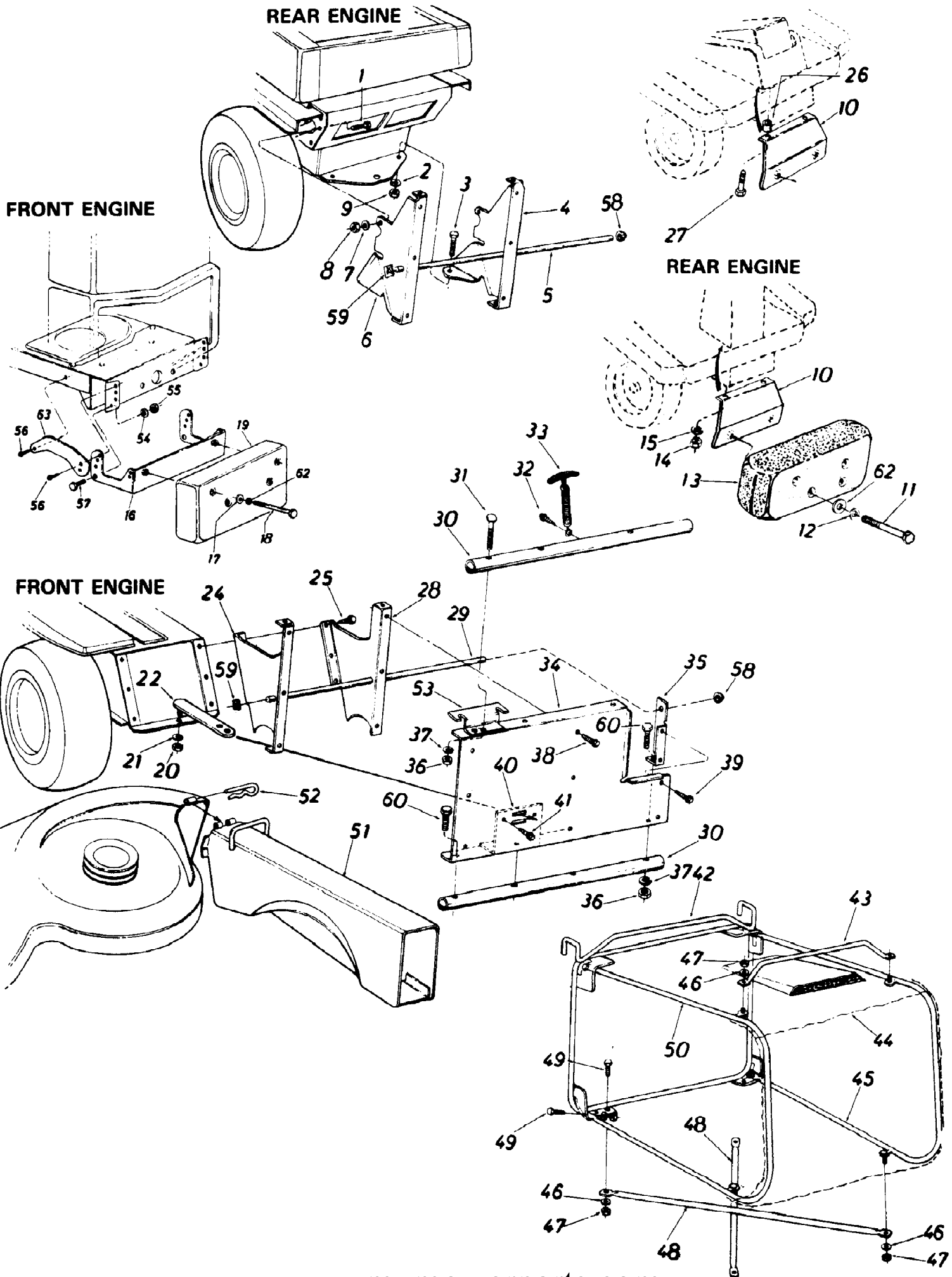


190-058-190 Rear Bagging Grass Catcher (1987)  
36" Rear Discharge Deck Grass Catcher



190-058-190 Rear Bagging Grass Catcher (1987)  
36" Rear Discharge Deck Grass Catcher

Page 2 of 3

Ref #	Part Number	Qty	S/P/F	Description
1	710-0376	1	/P	Hex Bolt 5/16-18 x 1-00" Lg.*
2	736-0119	1	S	L--Wash. 5/16" I.D.*
3	710-0376	1	/P	Hex Bolt 5/16-18 x 1.00"
4	15970	1	S	Catcher Support Brkt R-H
5	749-0613	1		Tubing .38" I.D. x .50" O.D. x 29" Lg.
6	15971	1		Catcher Support Brk't.-L . H .
7	736-0119	1	S	L. Wash. 5/16" I.D.*
8	712-0267	1	S	Hex Nut 5/16 18 Thd.*
9	712-0267	1	S	Hex Nut 5/16-18 Thd.*
10	15539	1		Counterweight Bracket
11	710-0693	1	/P	Hex Bolt 3/8-16 x 4.5" Lg.*
12	736-0105	1	/P	Belleville Wash. .400" I.D. x.88" O.D.
13	723-0367	1		Front Counterweight 381bs.
14	712-0267	1	S	Hex Nut 5/16-18 Thd.*
15	736-0119	1	S	L.-Wash. 5/16" I.D.*
16	15873	1		Counterweight Bracket
17	736-0105	1	/P	Belleville Wash. .400" I.D. x.88" O.D.
18	710-0693	1	/P	Hex Bolt 3/8-16 x 4.5" Lg.*
19	723-0367	1		Front Counterweight 38 Lbs.
20	712-0922	1	/P	Hex Jam Nut 1/2-13 0 Thd.*
21	736-0921	1	S	L.-Wash. 1/2" I.D.*
22	16602	1		Hitch Bar Ass'y.
24	15363	1		Catcher Support Brk't.- 1-. H .
25	710-0726	1	/P	Hex Wash. Hd. Self Tap Scr. 5/16-18 x .75 Lg.*
26	711-0242	1	S	Spacer.380" I.D. x 1.00" O.D. x.320" Lg.
27		1		Not Part of Kit
28	15364	1		Catcher Support Brk't.-R . H .
29	749-0613	1		Tubing .38" I.D. x .50" O.D. x 29" Lg.
30	749-0612	1		Tubing 1-1/8" O.D. x 20.12" Lg.
31	710-0405	1	S	Curved Carrlage Bolt 5/16-18 x 1.75" Lg.
32	710-0776	1	S	Hex"AB"-TapScr. 1/4" x .62" Lg.
33	723-0296	1		Hood Latch Ass'y.
34	15968	1		Grass Catcher Adapter
35	15362	1		Grass Catcher Support Brkt. R.H.
36	712-0267	1	S	Hex Nut 5/16-18 Thd.*
37	736-0119	1	S	L.-Wash. 5/16" I.D.*
38	710-0599	1	/P	Hex Wash. Hd. Self Tap Scr. 1/4-20 x .50" Lg.
39	710-0599	1	/P	Hex Wash. Hd. Self Tap Scr. 1/4-20 x .50" Lg.
40	15459	1		Hitch Bracket
41	710-0599	1	/P	Hex Wash. Hd. Self Tap Scr. 1/4-20 x . 50" Lg.
42	15981	1		Grass Bag Frame Ass'y.
43	749-0616	1		Grass Catcher Handle 26.75
44	764-0209	1		G rass Catcher Bag
45	15992	1	S	Catcher Side Frame Ass'y.
46	736-0175	1	S	L.-Wash. .270" I.D. x .57" O . D.
47	712-0107	1	S	Hex L.-Nut 1/4-20Thd.
48	749-0615	1		Bottom Cross Brace 30.36" Lg. *
49	710-0258	1	S	Hex Bolt 1/4-20 x .62" Lg. *
50	15993	1		Catcher Side Frame Ass'y.-L.H.
51	15972			Grass Catcher Side Extension Ass'y.

190-058-190 Rear Bagging Grass Catcher (1987)  
36" Rear Discharge Deck Grass Catcher

Page 3 of 3

Ref #	Part Number	Qty	S/P/F	Description
52		1		Not Part of Kit
53	15995	1		15995 0 GrassCatcherSupportPlate
54	736-0171	1	S	L.-Wash. 7/16" I.D.*
55	712-0240	1	S	Hex Nut 7/16-20 Thd.*
56	710-0915	1		Hex AB Tap Scr. 5/16-18 x 1'9
57	710-0314	1	/P	HexBolt 7/16-20x 1.00" Lg. *
58	726-0221	1	/P	Push Cap
59	712-0247	1		Speed Nut
60	710-0380	1	S	Hex Bolt 5/16-18 x 1.75 Lg. *
	748-0193	1	S	Spacer
62	736-0280	1		Fl.-Wash. .390" I.D. x 1.12" O.D. x .187 Thk.
63	16024	1		Tie Strap